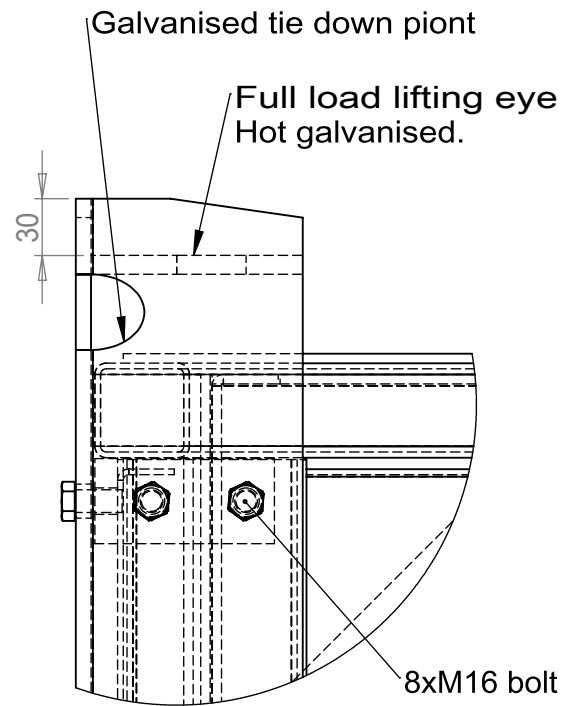
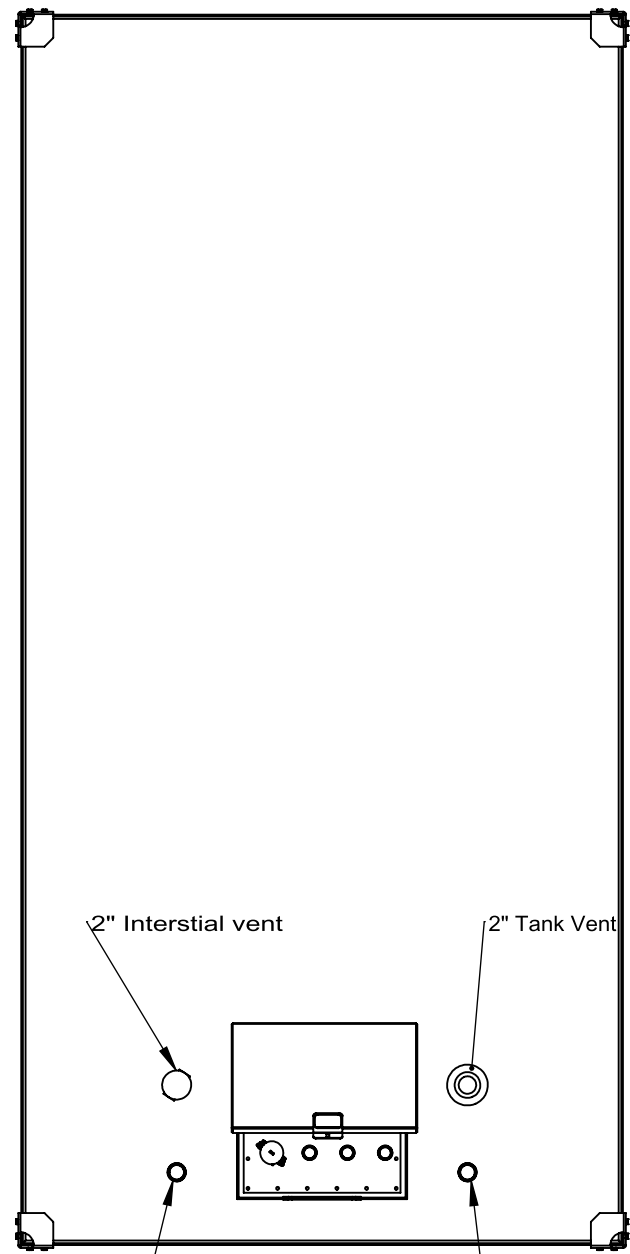
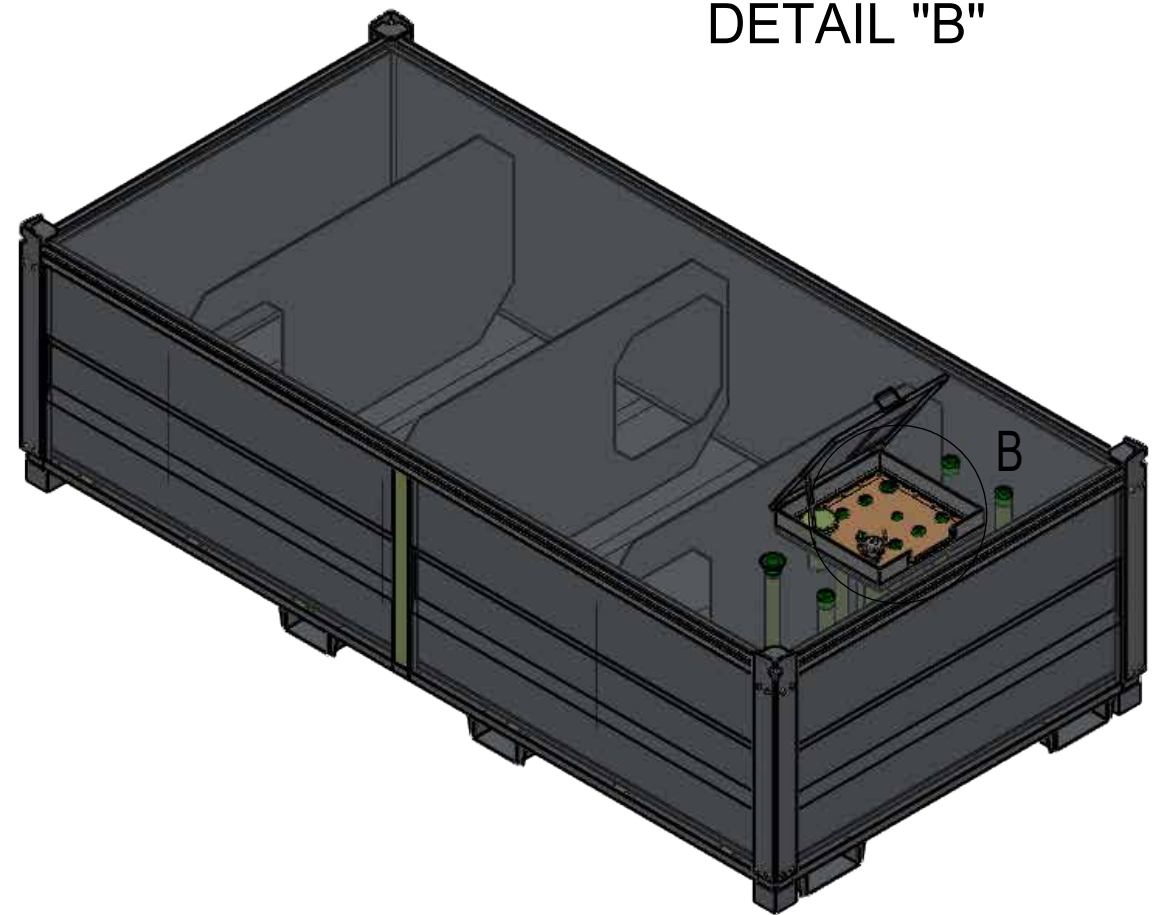


DETAIL "B"

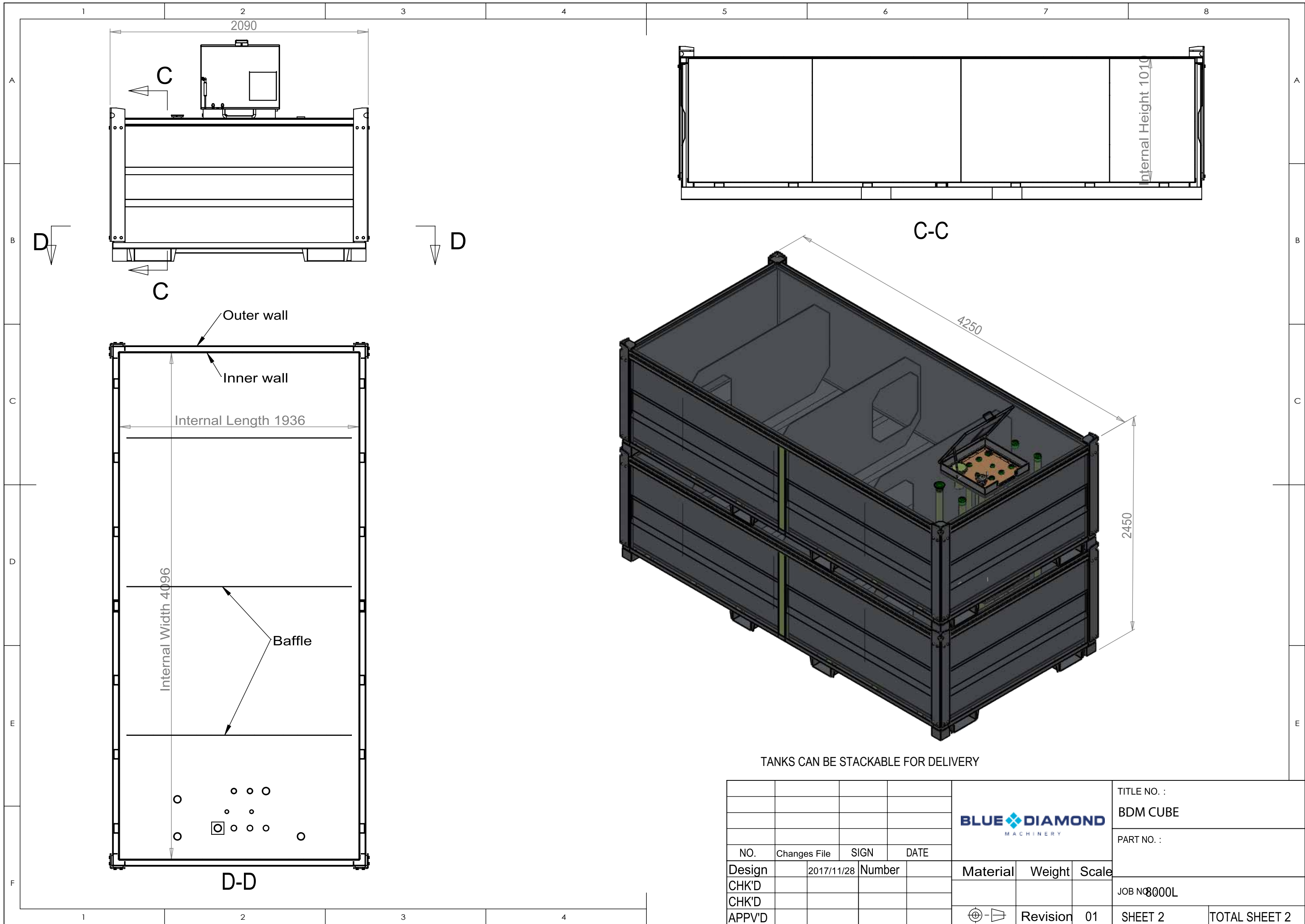


DETAIL "A"



1. Stackable 2 high full and 3 empty.
2. Designed and approved to AS1940 / AS1692 / AS1657
3. All welding to AS1554.1
4. All threads are BSP
5. Self bunded (double wall) for stationary storage
6. 2" socket fill point
7. Four way forklift pockets
8. Statutory signage

Size	Tank Capacity (L)	Safe Fill Level (L)	Length (mm)	Width (mm)	Height (mm)	Empty Weight (kg)																				
CUBE 8000L	8000	7200	4250	2090	1240	2350																				
						TITLE NO. :																				
						BDM CUBE																				
<table border="1"> <tr> <th>NO.</th> <th>Changes File</th> <th>SIGN</th> <th>DATE</th> </tr> <tr> <td>Design</td> <td>2017/11/28</td> <td>Number</td> <td></td> </tr> <tr> <td>CHK'D</td> <td></td> <td></td> <td></td> </tr> <tr> <td>CHK'D</td> <td></td> <td></td> <td></td> </tr> <tr> <td>APPV'D</td> <td></td> <td></td> <td></td> </tr> </table>						NO.	Changes File	SIGN	DATE	Design	2017/11/28	Number		CHK'D				CHK'D				APPV'D				PART NO. :
						NO.	Changes File	SIGN	DATE																	
Design	2017/11/28	Number																								
CHK'D																										
CHK'D																										
APPV'D																										
<table border="1"> <tr> <th>Material</th> <th>Weight</th> <th>Scale</th> </tr> <tr> <td></td> <td></td> <td></td> </tr> <tr> <td colspan="2">Revision 01</td> <td></td> </tr> </table>						Material	Weight	Scale				Revision 01			JOB NO 8000L											
						Material	Weight	Scale																		
Revision 01																										
						SHEET 1	TOTAL SHEET 2																			



TANKS CAN BE STACKABLE FOR DELIVERY

							TITLE NO. :	
							BDM CUBE	
							PART NO. :	
							JOB NO 8000L	
NO.	Changes File	SIGN	DATE	Material	Weight	Scale	SHEET 2	
Design	2017/11/28	Number					TOTAL SHEET 2	
CHK'D								
CHK'D								
APPV'D				⊕	Revision	01		