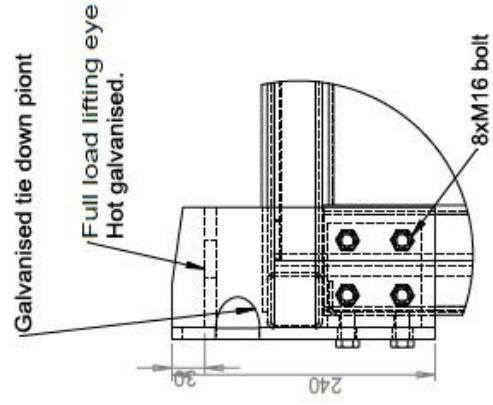
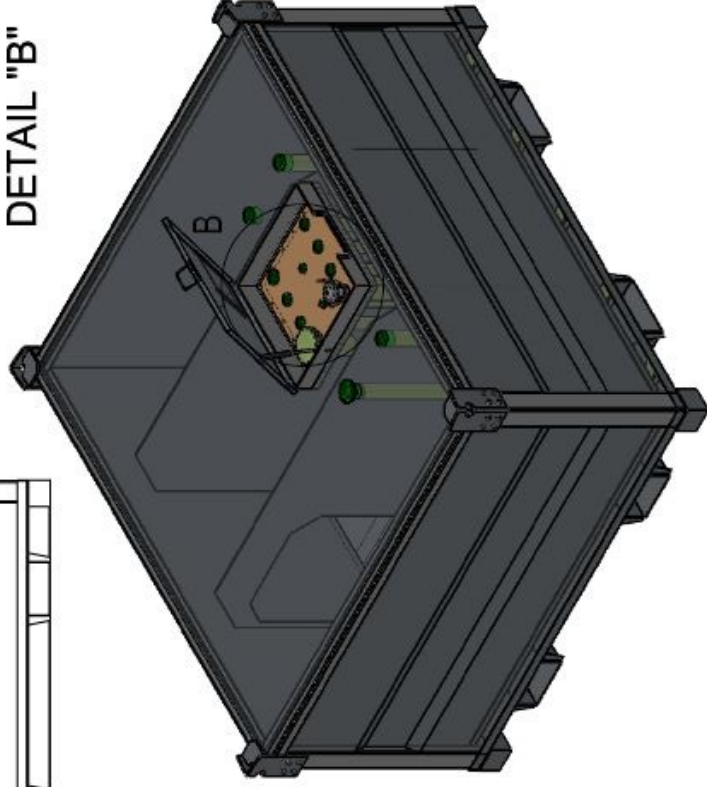
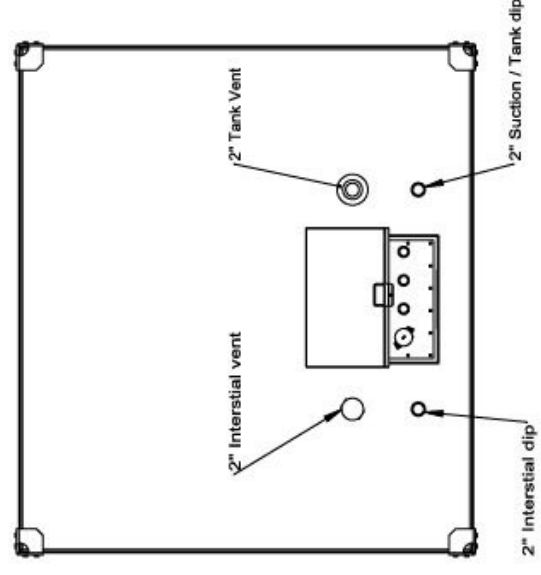


DETAIL "B"



DETAIL "A"



1. Stackable 2 high full and 3 empty
2. Designed and approved to AS1940 / AS1692 / AS1657
3. All welding to AS1554.1
4. All threads are BSP
5. Self bunded (double wall) for stationary storage
6. 2" socket fill point
7. Four way forklift pockets
8. Statutory signage

Size	Tank Capacity (L)	Safe Fill Level (L)	Length (mm)	Width (mm)	Height (mm)	Empty Weight (kg)
CUBE 4000L	4150	3740	2330	2090	1240	1550

NO.		Changes File	SIGN	DATE
Design	CHKD	2017/11/28	Number	Scale
CHKD	APPVD			

TITLE NO.:		BDM CUBE
PART NO.:		JOB N44000L

Material	Weight	Scale

Revision	01	TOTAL SHEET 2
----------	----	---------------

